

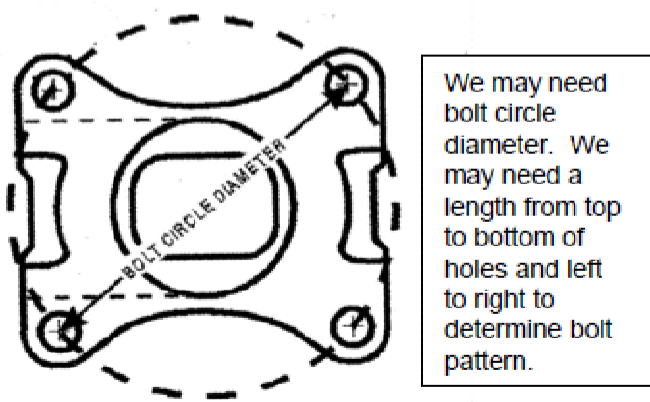
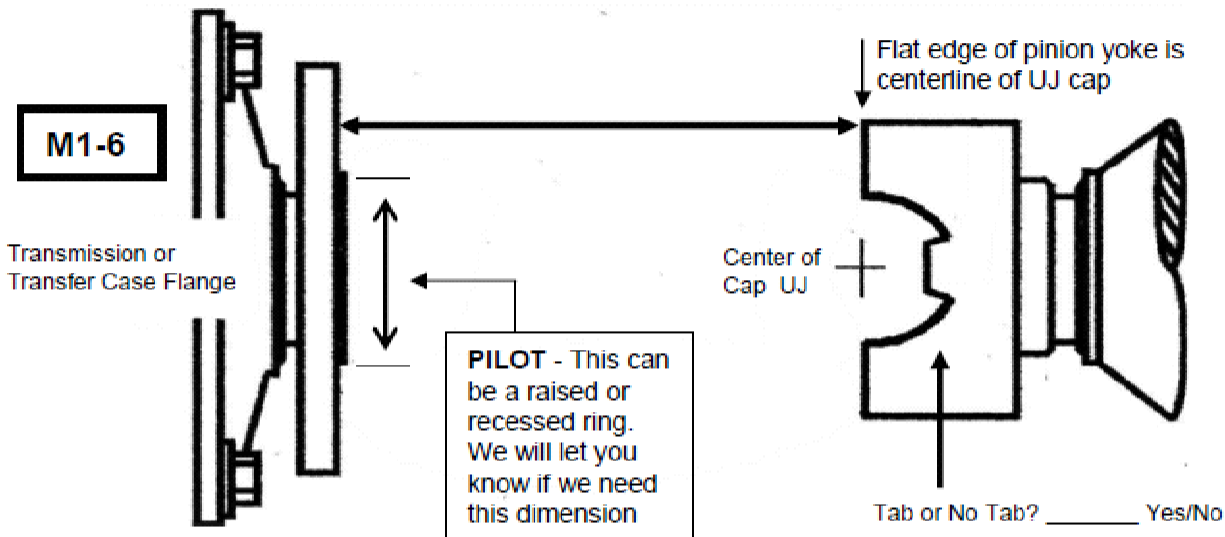


Head Office: 323 Church Street, Penrose 1061, Auckland. P. O Box 112 001 Penrose, Auckland.  
 Ph: 09 550- 2805, e mail: sales@driveshaftnz.co.nz

1 Piece Shaft - Trans Flange & Regular Pinion Yoke

**Important: Suspension must be at Normal Ride Height.**  
**Wheels on Ground or Diff. Loaded (wheels not hanging on lift)**

Please take all length dimensions from vehicle - NOT the old driveshaft



\_\_\_\_\_ Length from face of flange to edge of pinion yoke

\_\_\_\_\_ Bolt Circle if needed.

\_\_\_\_\_ Pilot if needed.

**UJ Series** or Width and Cap Diameter \_\_\_\_\_ Call if you need assistance or see UJ ID guide in the website.

**Vehicle Type** \_\_\_\_\_

Name \_\_\_\_\_ Phone \_\_\_\_\_

Address \_\_\_\_\_

Email \_\_\_\_\_ or Fax \_\_\_\_\_