

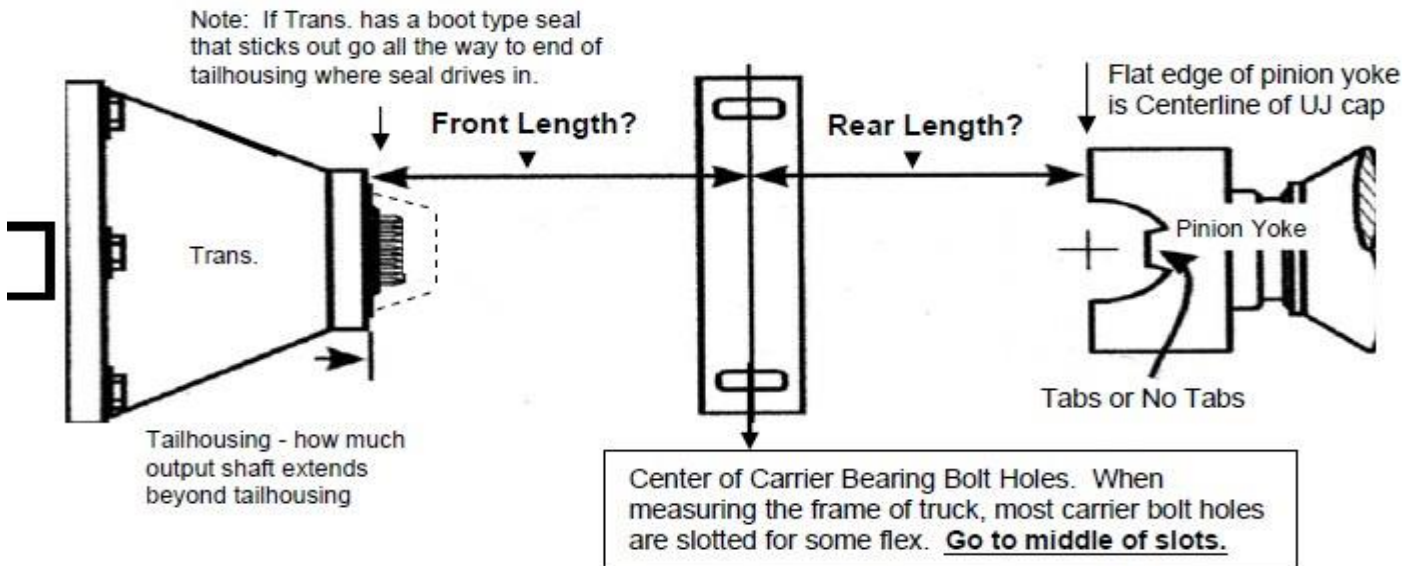


Head Office: 323 Church Street, Penrose 1061, Auckland. P. O Box 112 001 Penrose, Auckland.  
 Ph: 09 550- 2805, E mail: sales@driveshaftnz.co.nz

**2 Piece Shaft - using New Slip Yoke and Regular Rear Pinion Yoke**

**Important: Suspension must be at Normal Ride Height.  
Wheels on Ground or Diff. Loaded (wheels not hanging on lift)**

**Please take all length dimensions from vehicle - NOT the old driveshaft**



Front Length \_\_\_\_\_ from end of tailhousing to center of carrier hole..

Vehicle Type: \_\_\_\_\_

Rear Length \_\_\_\_\_ from center of carrier hole to flat edge of pinion yoke.

Trans. Type and output spline count \_\_\_\_\_

Differential Type if known \_\_\_\_\_

Length of output shaft \_\_\_\_\_

\_\_\_\_\_ UJ Series of Pinion Yoke. See UJ Identification for assistance or call us for assistance.

Boot seal on Trans? \_\_\_\_\_

Pinion Yoke UJ Width: \_\_\_\_\_ Cap Diameter \_\_\_\_\_

How Long? \_\_\_\_\_

Name \_\_\_\_\_ Phone \_\_\_\_\_

Address \_\_\_\_\_

email \_\_\_\_\_ or Fax \_\_\_\_\_